

**Fax option Type 450
(A693/A818/A816/A646)**

PARTS CATALOG

INTRODUCTION



This chapter instructs you the numbers and names of parts on this machine.

INDEX to PARTS CATALOG

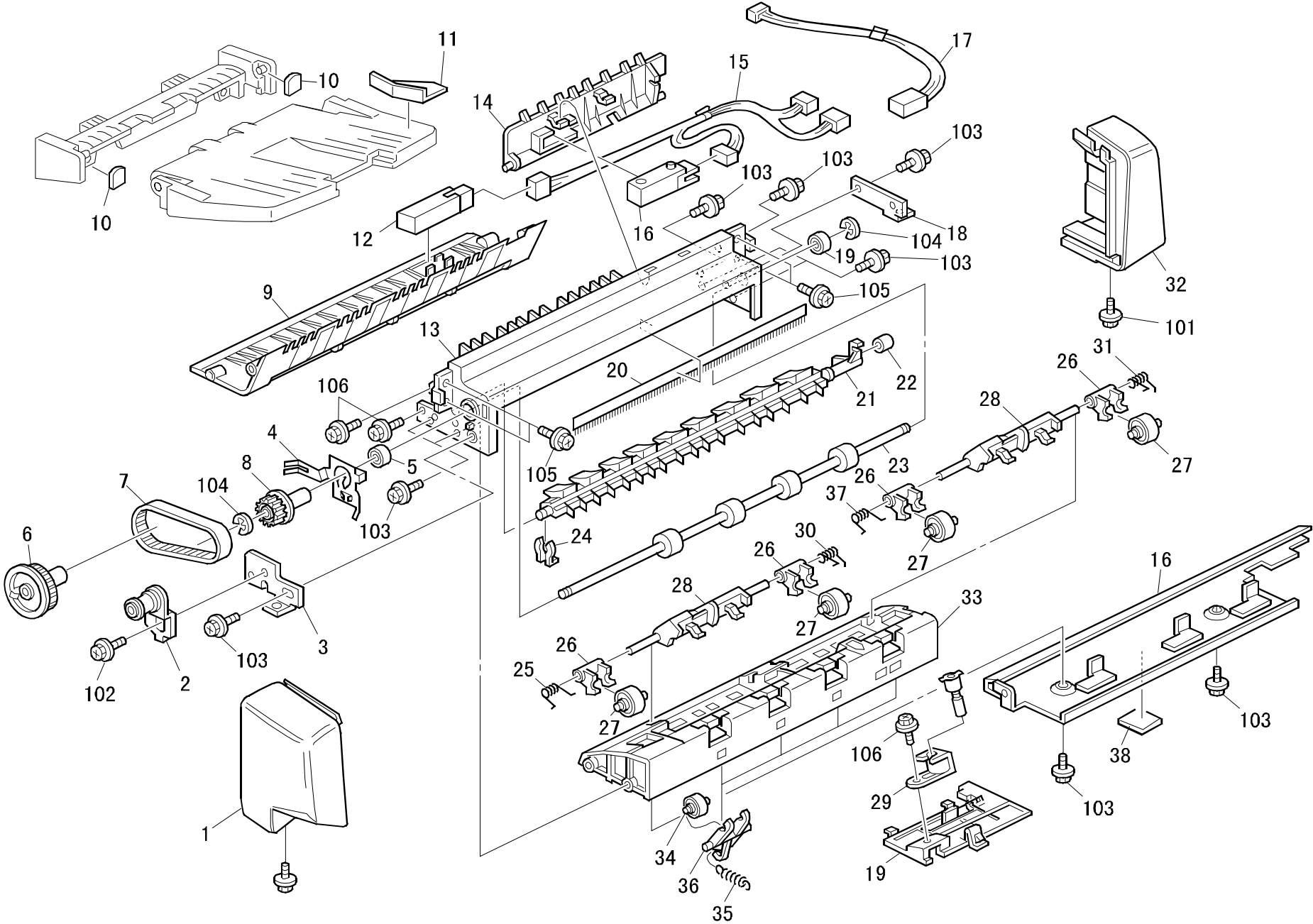
1.FAX Option 1 (A693/A818/A816/A646)	2
2.FAX Option 2 (A693/A818/A816/A646)	4
Parts Index	7

1.FAX Option 1 (A693/A818/A816/A646)

Index No.	Part No.	Description	Q'ty Per Assembly
1	A233 5286	Modular Connector Ass'y (NA)	1
1	A233 5284	Modular Connector Ass'y (EU)	1
2	A233 5852	Connector Bracket	1
3	H515 7119	HDD - MK0803MAT	1
4	A233 5288	HDD Harness	1
5	A233 5165	Relay Board	1
6	A233 5184	EXSAF Board	1
7	A233 5280	Harness - FCU/NCU (NA)	1
7	A233 5281	Harness - FCU/NCU (EU)	1
8	A233 5170	PMU Board	1
9	A693 5001	FCU Board (115V)	1
9	A693 5002	FCU Board (230V)	1
10	A816 5801	ISDN Board Bracket	1
11	A233 5287	ISDN Relay Harness	1
12	H082 6034	Fax Control Board - 115V	1
12	H082 6035	Fax Control Board - 230V	1
13	H515 5049	Monitor Speaker	1
14	A233 5836	NCU Bracket	1
15	5488 6030	NCU Board (NA)	1
15	5488 6050	NCU Board (EU)	1
15	5488 6070	NCU Board (France)	1
16	A818 5801	Upper Bracket	1
17	A818 5802	Lower Bracket	1
18	A693 7220	FAX Operation Panel Ass'y (NA)	1
18	A693 7223	FAX Operation Panel Ass'y (Chinese)	1
18	A693 7222	FAX Operation Panel Ass'y (TWN)	1
18	A693 7221	FAX Operation Panel Ass'y (EU)	1
19	A693 7211	Copy Key (NA)	1
19	A693 7611	Copy Key (EU)	1
20	A693 7210	CF Cover	1
21	A233 1541	Key-top Pause	1
22	A693 7212	Key Top - FAX (NA)	1
22	A693 7612	Key Top - FAX (EU)	1
23	A233 1390	Key-top Decal - FAX Option	1
24	H553 3861	Decal - Super G3	1

Index No.	Part No.	Description	Q'ty Per Assembly
25	A233 5821	Bracket - Hand Set	1
26	A646 5235	Hand Set Ass'y (Except Screws)	1
27	H081 5700	Modular Cord - 6p/6p	1
28	A818 5810	Spring Plate	1
29	H302 5700	ISDN Cable	1
		 	
101	0353 0060B	Philips Pan Head Screw - M3x6	
102	0451 3006B	Tapping Screw - M3x6	
103	1607 0622	Ferrite Core	
104	0313 0040B	Philips Pan Head Screw - M3x4	
105	1607 1053	Ferrite Coer - SFT-37SS	
106	1105 0477	Spacer - WLS-16-0	
107	1105 0312	Spacer	
108	0353 0080B	Screw - M3X8	
109	0353 0140Z	Screw - M3X14	
110	1607 0576	Sleeve Coae - SFC-8	
111	1105 0172	Clamp	
112	1105 0349	Edge Saddle	
113	1105 0194	PCB Stud	

2.FAX Option 2 (A693/A818/A816/A646)



2.FAX Option 2 (A693/A818/A816/A646)

Index No.	Part No.	Description	Q'ty Per Assembly
1	A813 3211	Front Cover	1
2	A813 1451	Idler Bracket	1
3	A813 1461	Front Cover Bracket	1
4	A813 1415	Exit Guide Plate	1
5	A232 3563	Ball Bearing:6x12x4	1
6	A813 2511	Timing Pulley	1
7	AA04 3378	Timing Belt - B40S3M159	1
8	A813 2521	Timing Pulley	1
9	A680 3121	Left Guide Plate	1
10	A813 4351	Spacer	2
11	A813 4341	Paper Guide	1
12	AW01 0076	Photosensor - PS-117D1	2
13	A813 1411	Right Exit Guide	1
14	A680 3131	Sensor Bracket	1
15	A680 5862	Relay Harness - Exit Unit	1
16	A813 1483	Stamp Unit Bracket	1
17	A680 5895	Stamp Unit Relay Harness	1
18	A813 1441	Rear Cover Bracket	1
19	A813 1311	Stamper Holder	1
20	A680 3231	Antistatic Brush	1
21	A813 1422	Inverter Gate	1
22	A458 2251	Cushion - Bin Solenoid Lever	1
23	A813 1431	Exti Roller	1
24	5215 2621	Snap Ring - M6	1
25	AA06 6618	Rear Spring Guide Roller	1
26	A680 3171	Driven Roller Arm	4
27	A680 3161	Driven Roller	4
28	A680 3151	Left Support Guide	1
29	H511 5005	Stamper	1
30	AA06 6619	Front Spring - Front Driven Roller	1
31	AA06 6623	Front Spring - Rear Driven Roller	1
32	A813 3311	Rear Cover	1
33	A813 1511	Lower Exti Guide	1
34	A548 1233	Driven Roller	4
35	AA06 0765	Tension Spring	4

Index No.	Part No.	Description	Q'ty Per Assembly
36	A548 1234	Driven Roller Arm	4
37	AA06 6622	Rear Spring - Rear Driven Roller	1
38	A351 4281	Anti-vibration Cushion	1
101	0451 3008B	Tapping Screw - M3x8	
102	0451 3006B	Tapping Screw - M3x6	
103	0450 3008B	Tapping Screw - M3x8	
104	0720 0040E	Retaining Ring - M4	
105	0451 3008H	Tapping Screw - 3x8	
106	0450 3008B	Tapping Screw - M3x8	

PARTS INDEX

Part No.	Description	Page and Index No.
A693 5001	FCU Board (115V)	3- 9
A693 5002	FCU Board (230V)	3- 9
A693 7210	CF Cover	3- 20
A693 7211	Copy Key (NA)	3- 19
A693 7212	Key Top - FAX (NA)	3- 22
A693 7220	FAX Operation Panel Ass'y (NA)	3- 18
A693 7221	FAX Operation Panel Ass'y (EU)	3- 18
A693 7222	FAX Operation Panel Ass'y (TWN)	3- 18
A693 7223	FAX Operation Panel Ass'y (Chinese)	3- 18
A693 7611	Copy Key (EU)	3- 19
A693 7612	Key Top - FAX (EU)	3- 22

Part No.	Description	Page and Index No.
AA04 3378	Timing Belt - B40S3M159	5- 7
AA06 0765	Tension Spring	5- 35
AA06 6618	Rear Spring Guide Roller	5- 25
AA06 6619	Front Spring - Front Driven Roller	5- 30
AA06 6622	Rear Spring - Rear Driven Roller	5- 37
AA06 6623	Front Spring - Rear Driven Roller	5- 31
AW01 0076	Photosensor - PS-117D1	5- 12
H081 5700	Modular Cord - 6p/6p	3- 27
H082 6034	Fax Control Board - 115V	3- 12
H082 6035	Fax Control Board - 230V	3- 12
H302 5700	ISDN Cable	3- 29
H511 5005	Stamper	5- 29
H515 5049	Monitor Speaker	3- 13
H515 7119	HDD - MK0803MAT	3- 3
H553 3861	Decal - Super G3	3- 24

Part No.	Description	Page and Index No.
A232 3563	Ball Bearing:6x12x4	5- 5
A233 1390	Key-top Decal - FAX Option	3- 23
A233 1541	Key-top Pause	3- 21
A233 5165	Relay Board	3- 5
A233 5170	PMU Board	3- 8
A233 5184	EXSAF Board	3- 6
A233 5280	Harness - FCU/NCU (NA)	3- 7
A233 5281	Harness - FCU/NCU (EU)	3- 7
A233 5284	Modular Connector Ass'y (EU)	3- 1
A233 5286	Modular Connector Ass'y (NA)	3- 1
A233 5287	ISDN Relay Harness	3- 11
A233 5288	HDD Harness	3- 4
A233 5821	Bracket - Hand Set	3- 25
A233 5836	NCU Bracket	3- 14
A233 5852	Connector Bracket	3- 2
A351 4281	Anti-vibration Cushion	5- 38
A458 2251	Cushion - Bin Solenoid Lever	5- 22
A548 1233	Driven Roller	5- 34
A548 1234	Driven Roller Arm	5- 36
A646 5235	Hand Set Ass'y (Except Screws)	3- 26
A680 3121	Left Guide Plate	5- 9
A680 3131	Sensor Bracket	5- 14
A680 3151	Left Support Guide	5- 28
A680 3161	Driven Roller	5- 27
A680 3171	Driven Roller Arm	5- 26
A680 3231	Antistatic Brush	5- 20
A680 5862	Relay Harness - Exit Unit	5- 15
A680 5895	Stamp Unit Relay Harness	5- 17
A813 1311	Stamper Holder	5- 19
A813 1411	Right Exit Guide	5- 13
A813 1415	Exit Guide Plate	5- 4
A813 1422	Inverter Gate	5- 21
A813 1431	Exti Roller	5- 23
A813 1441	Rear Cover Bracket	5- 18
A813 1451	Idler Bracket	5- 2

Part No.	Description	Page and Index No
A813 1461	Front Cover Bracket	5- 3
A813 1483	Stamp Unit Bracket	5- 16
A813 1511	Lower Exti Guide	5- 33
A813 2511	Timing Pulley	5- 6
A813 2521	Timing Pulley	5- 8
A813 3211	Front Cover	5- 1
A813 3311	Rear Cover	5- 32
A813 4341	Paper Guide	5- 11
A813 4351	Spacer	5- 10
A816 5801	ISDN Board Bracket	3- 10
A818 5801	Upper Bracket	3- 16
A818 5802	Lower Bracket	3- 17
A818 5810	Spring Plate	3- 28